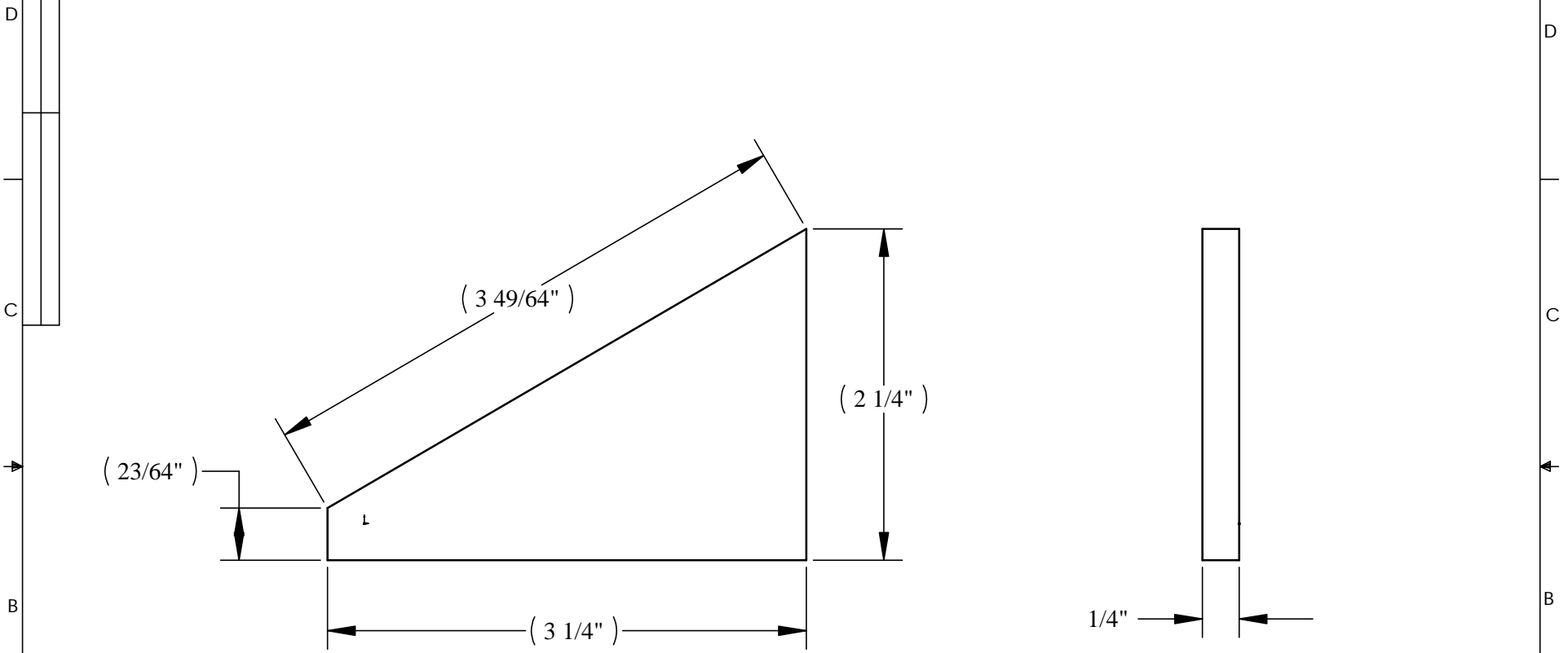


8 7 6 5 4 3 2 1

THE INFORMATION CONTAINED IN THIS DRAWING IS THE SOLE PROPERTY OF HARVEY MUDD COLLEGE ANY REPRODUCTION IN PART OR WHOLE WITHOUT THE WRITTEN PERMISSION OF HARVEY MUDD COLLEGE IS PROHIBITED.



D
C
B
A

D
C
B
A

ITEM NO.	2-b	THE LARGER SIDE PLATES OF THE BOX	ALUMINUM	QTY RECD (4)
PARTS LIST				
UNLESS OTHERWISE SPECIFIED DIMENSIONS ARE IN INCHES TOLERANCES ARE:		CAD GENERATED DRAWING, DO NOT MANUALLY UPDATE		HARVEY MUDD COLLEGE BOX SIDE PLATE
FRACTIONS DECIMALS ANGLES		APPROVALS	DATE	
+ .XX+ .XX + 1		DRAWN		
.XXX+.XXX		CHECKED		
MATERIAL --		RESP ENG		
FINISH --		MFG ENG		
NEXT ASSY	USED ON	QUAL ENG		SIZE A DWG. NO. REV.
APPLICATION		DO NOT SCALE DRAWING	SCALE	CAD FILE: SHEET OF

8 7 6 5 4 3 2 1